

### About Product

IDEA generator sets are designed to be used as backup or continuous power supply. They are subjected to detailed load and performance tests in our production facilities in order to provide ideal performance and safe usage.



### Power Output Values

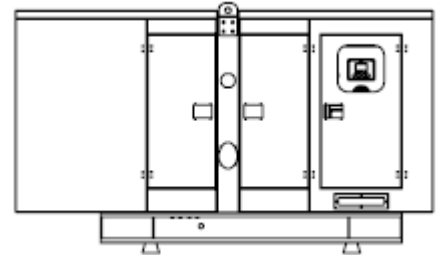
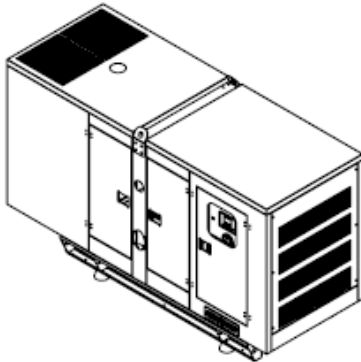
Voltage	Standby Power (ESP)			Prime Power (PRP)		
	kVA	kW	Ampere	kVA	kW	Ampere
400/231	250 kVA	200 kW	361	230 kVA	184 kW	332,5

**Standby Power (ESP) :** This rating is for the supply of continuous electrical power at variable load , in the event of utility power failure. No overload is permitted.

**Prime Power (PRP) :** This rating is for the supply of continuous electrical power at variable load. There is no limitation on the annual hours in operation and 10% overload power can be supplied for 1 hour in 12.

### Weight And Dimensions

Type	Width x Length x Height (mm)	Weight (kg)	Fuel Tank (Lt)	Sound dB(A) @1mt
Open	1100x2600x1480 mm	1815 kg	350 lt	TBA
Soundproofed	1200x3520x1850 mm	2175 kg	350 lt	79



### Engine

Frequency		50 Hz
Output Rating	kW	226,1
Manufacturer and Model		Perkins 1206A-E70TTAG2
Fuel		Diesel
Injection		Direct
Aspiration		Turbocharged & Aftercooled
Cylinders		6
Bore and Stroke	mm	105 x 135
Displacement	lt	7,01
Cooling		Water
Engine Oil Specification		SAE 15W40
Compression Ratio		15.8:1
Engine Oil Capacity	lt	16
Coolant Capacity (incl.radiator)	lt	25
Governor		Electronical
Air Filter		Dry element
<b>FUEL CONSUMPTION</b>		
100 % Load	lt/h	51,0
75 % Load	lt/h	38,0
50 % Load	lt/h	25,5
<b>EXHAUST SYSTEM</b>		
Maximum Temperature	°C	TBA
Exhaust Gas Flow	m <sup>3</sup> /min	TBA
Maximum Allowed Back Pressure	kPA	TBA
Exhaust Flange Size (Internal Dia.)	mm	72
<b>AIR SYSTEM</b>		
Intake Air Flow	m <sup>3</sup> /min	TBA
Total Cooling Air Flow	m <sup>3</sup> /min	TBA
<b>STARTING SYSTEM</b>		
Starter Motor	kW	TBA
Battery Capacity	Ah	100
Auxiliary Voltage	V	12

### Alternator

Poles		4 pole
Winding Connections		Star
Insulation		Class H
Enclosure		IP23
Exciter System		Self regulating Brushless
Voltage Regulator		AVR
Steady State Voltage Regulation		± 1 %
Bearing		Single bearing sealed
Coupling		Flexible disc
Cooling		Direct drive centrifugal blower fan



### Control Panel IDP300

The new IDP300 genset controller is a cost effective modular genset controller ready for internet monitoring through plug-in modules.

Its main advantages are multifunctionality, support for multiple topologies, harmonic analysis and detailed power measurements.

Software features are complete with easy firmware upgrade through USB port. The Windows based PC software allows monitoring and programming through USB, RS-485, RS-232, Ethernet and GPRS.

The Rainbow Scada web service allows monitoring and control of an unlimited number of gensets from a single central location.



### Optional Equipments

Some Optional Equipment IDEA Provides with Generator Sets;

- Remote radiator applications,
- Automatic fuel filling system,
- Fuel tank, oil pan, instrument panel, alternator, coil heaters,
- Synchronization systems,
- Generator output fuse,
- Mains generator transfer switches,
- Seismic solutions,
- Remote monitoring
- Other requested solutions

### Reference Standards

IDEA Generator Sets are CE approved and comply with the following standards;

- Power according to ISO 3046 and ISO 8528
- EN 12100 , EN 13857 , EN 60204
- 2006/42/CE Machinery Safety
- 2006/95/EC Low Voltage
- 2004/108/CE EMC
- Ambient reference conditions 1000 mbar, 25 °C, 30 % relative humidity ISO8528

All the information in this leaflet is intended for general purposes only. IDEA reserves the right to change the specifications without notice.

